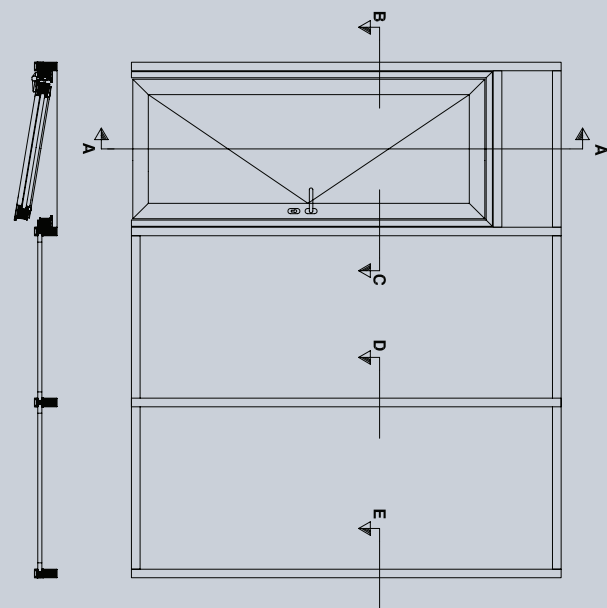
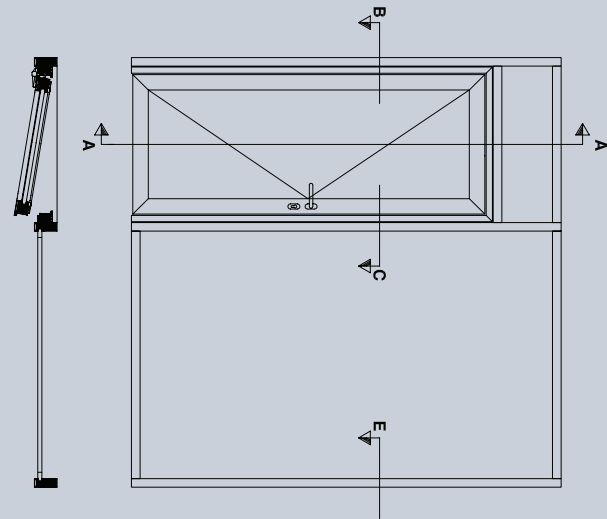
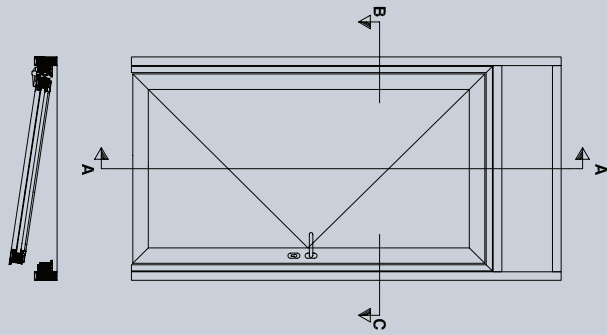
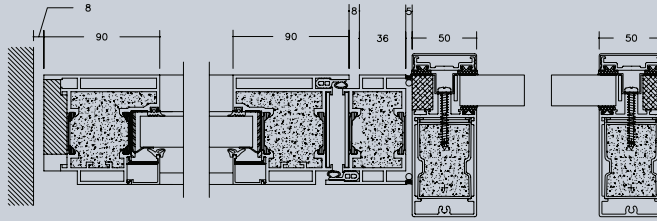


Aluflam A/S deliver tested and approved fire constructions
F30 - F60 - EI30 - EI60 in aluminium and glass

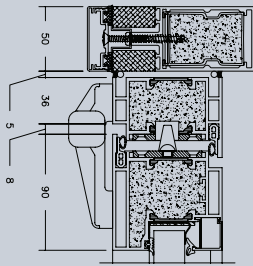


50 mm facade + 85 mm doors

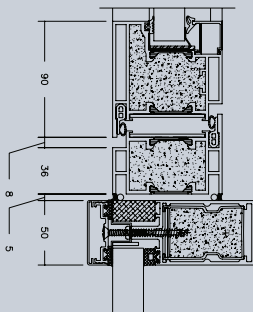
Aluflam A/S deliver tested and approved fire constructions
F30 - F60 - EI30 - EI60 in aluminium and glass



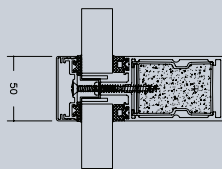
Snit A-A



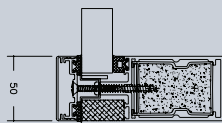
Snit B-B



Snit C-C



Snit D-D



Snit E-E

50 mm facade + 85 mm doors